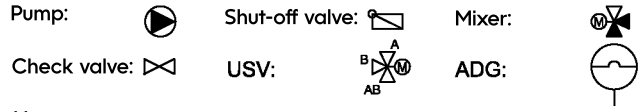
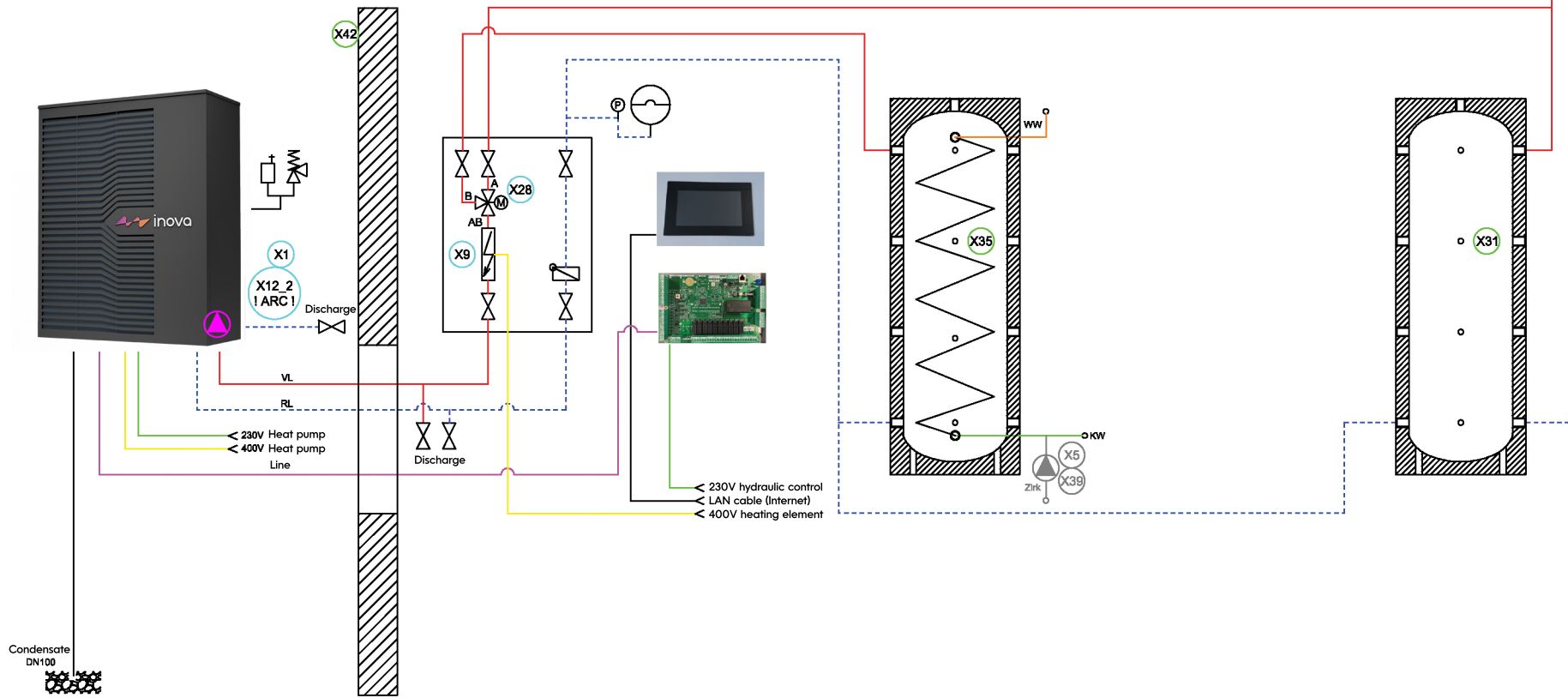
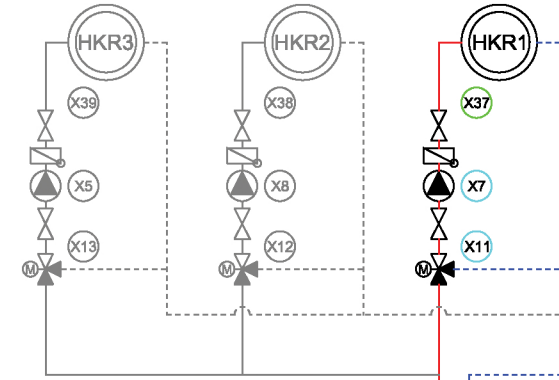


Legend:



Note:

- Observe the storage tank's draw-off capacity at low storage temperatures (50°C)
 - Provide at least 500 l buffer volume for domestic hot water
 - Provide at least 6.4 l/kW nominal output as buffer volume for heating
 - Do not use automatic air vents or safety valves in the building (safety valve is located in the unit)
 - Observe the dew point during active cooling
- No guarantee of accuracy. This drawing represents a schematic diagram and may differ from actual practice.
- Reproduction is permitted only with written consent



No guarantee of accuracy. This drawing represents a schematic diagram and may differ from actual practice.
 Reproduction is permitted only with written consent.

Designation:
 Dual storage solution with hygienic storage

Date:	24.02.2026
Name:	Inova