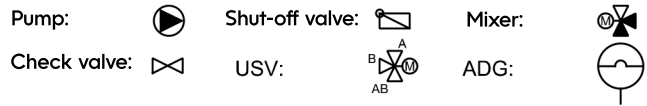
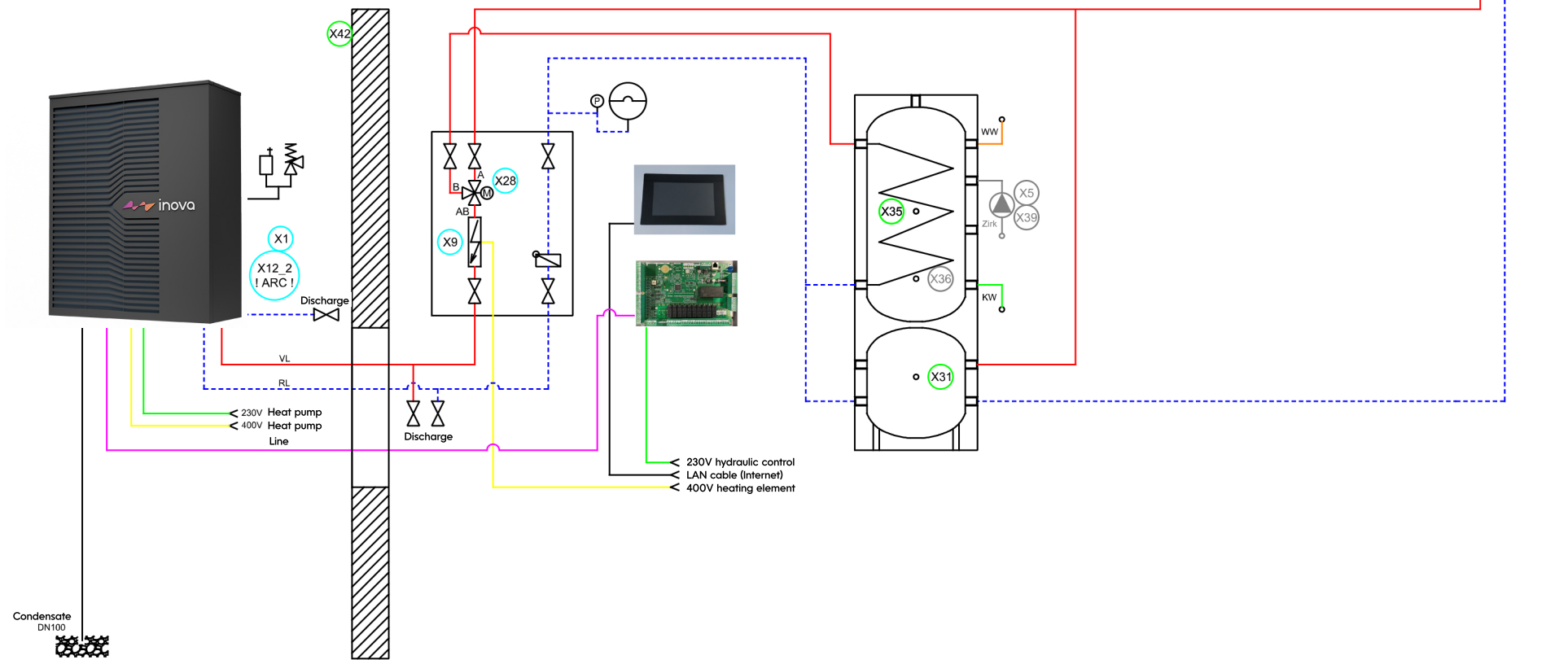
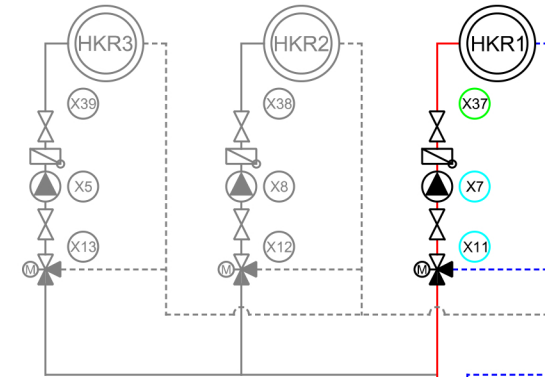


Legend:



Note:

- Heat exchanger surface area in the boiler should be approx. 0.4 m²/kW
- Provide at least 300 l volume for domestic hot water
- Provide at least 100 l buffer volume for heating
- To prevent frequent switching and short operating times, a minimum flow rate of the heating circuits should be ensured (20% of the heating circuits permanently open).
- Do not use automatic air vents and safety valves in the building (safety valve is located in the unit)
- Observe the dew point during active cooling



Condensate
DN100

No guarantee of accuracy. This drawing represents a schematic diagram and may differ from actual practice. Reproduction is permitted only with written consent.

Designation:
Dual storage solution with buffer boiler

Date:	24.02.2026
Name:	Inova